

We provide quality,
not only quantity.



Current Transformer

Moulded Case bus bar mounted CT 's

- a) Moulded Case Ring Type CT (SQ Series)
- b) Moulded Case Wound Primary CT (WP Series)
- c) Moulded Case Slotted Type CT (SQ Series)
- d) Moulded Case Ring Type CT (TW Series)
- e) Tape Insulated Ring Type CT (TW Series)

Features

- * CT's manufactured as per IEC 60044-1 , IS 2705-1
- * Current rating from : 1 A to 4000 A
- * Rated Sec. Current : 5A or 1 A
- * Test Voltage : 4 KVe_{eff} ,50 Hz 1 min
- * System Voltage : 720 V max
- * Case : Non -flammable Plastic, UL 94V-0
- * Protection Class : IP20
- * Thermal Short Circuit Current (I_{th}): 60 X I_n
- * Rated Continuous Thermal Current (CTC) : 1.2 I_n
- * Comprehensive measurement of class accuracy
- * Wide range of current ratings and busbar sizes
- * Tested on high accuracy Automatic CT test system with auto system generated test results / report

Applications

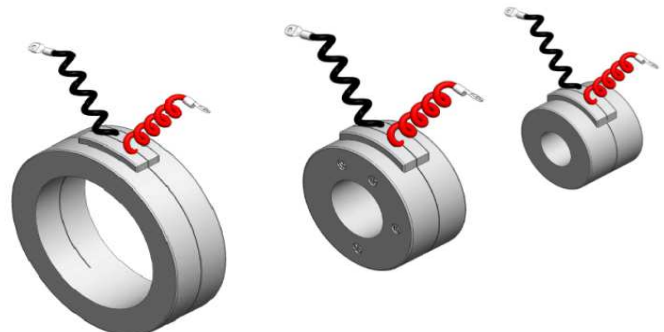
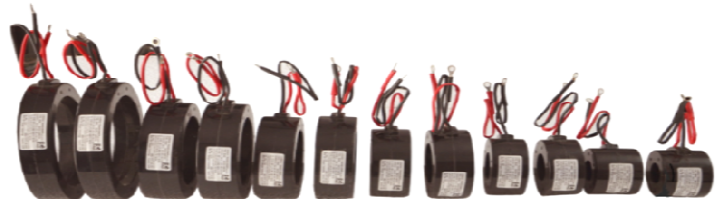
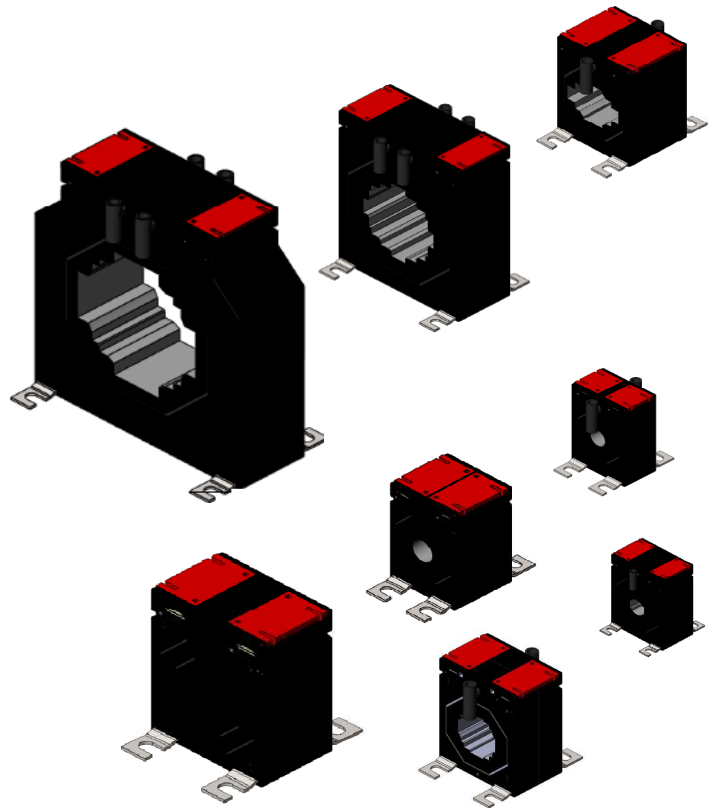
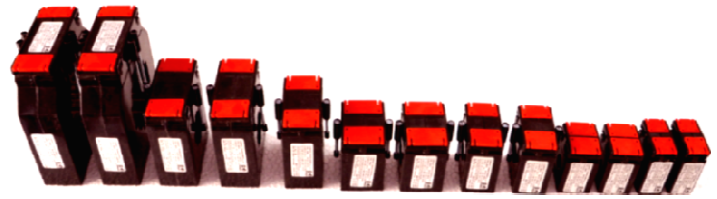
- * Switchgears
- * Distribution systems
- * Generator sets
- * Control panels
- * Overload protection
- * Control devices
- * Energy metering & monitoring

For detail catalogue /specification ,Pl. mail or call us :

sales@powertrac.in

+919829072389

Largest range of LT Current transformers in India



Powertrac Industries

Reg. Office : 63/122 , Heera Path , Mansarovar,
Jaipur -302020

Email : sales@powertrac.in

Mobile : +919829072389 , 01416572389

www.powertrac.in

We provide quality,
not only quantity.



Current Transformer

Resin Cast CT's

- a) Resin Cast Ring Type CT (RCR Series)
- b) Resin Cast Ring Wound Primary CT (RCWP Series)
- c) Resin Cast Rectangular CT (RCRE Series)
- d) Resin Cast 3 Phase Ring Type Block CT (RCB Series)

Features

- * CT's manufactured as per IEC 60044-1 , IS 2705-1
- * Current rating from : 1 A to 6000 A
- * Rated Sec. Current : 5A or 1 A
- * Test Voltage : 3 KVe_{eff} ,50 Hz 1 min
- * System Voltage : 720 V max
- * Outer Insulation : Resin
- * Protection Class : IP65
- * Thermal Short Circuit Current (I_{th}): 60 X I_n
- * Rated Continuous Thermal Current (CTC) : 1.2 I_n
- * Comprehensive measurement of class accuracy
- * Wide range of current ratings and busbar sizes
- * Tested on high accuracy Automatic CT test system with auto system generated test results / report

Applications

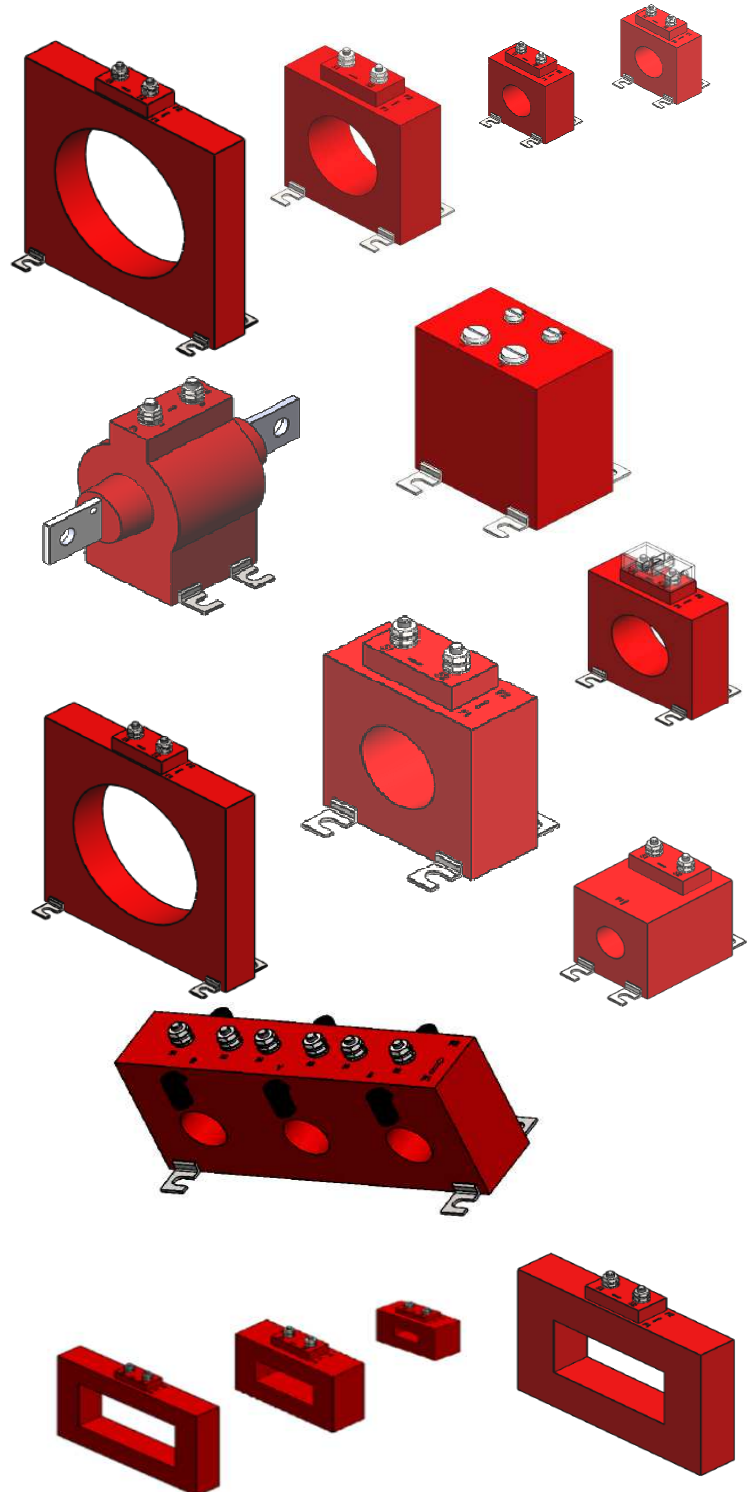
- * Switchgears
- * Distribution systems
- * Generator sets
- * Control panels
- * Overload protection
- * Control devices
- * Energy metering & monitoring

For detail catalogue /specification ,Pl. mail or call us :

sales@powertrac.in

+919829072389

Largest range of LT Current transformers in India



Powertrac Industries

Reg. Office : 63/122 , Heera Path , Mansarovar,
Jaipur -302020

Email : sales@powertrac.in

Mobile : +919829072389 , 01416572389

www.powertrac.in

We provide quality,
not only quantity.



Current Transformer

Largest range of LT Current transformers in India

Special Application CT's

- a) Resin Cast Summation CT's (RCSU Series)
- b) Resin Cast Interposing CT's : ICT (RCIN Series)
- c) Resin Cast CoreBalancing CT's : CBCT (CB Series)
- d) Moulded Case/ Tape wound CBCT (CB Series)
- e) Tape wound Protection Class CT's (TWRP Series)
- f) Resin Cast Protection Class W/P CT's (RCWP Series)
- g) Resin Cast Protection Class Ring CT's (RCP Series)
- h) Resin Cast Metering & Protection Class CT's
- i) Resin Cast Dual / Multi Ratio CT's
- j) Tape wound Special Application CT's
- k) Resin Cast Special Application CT's

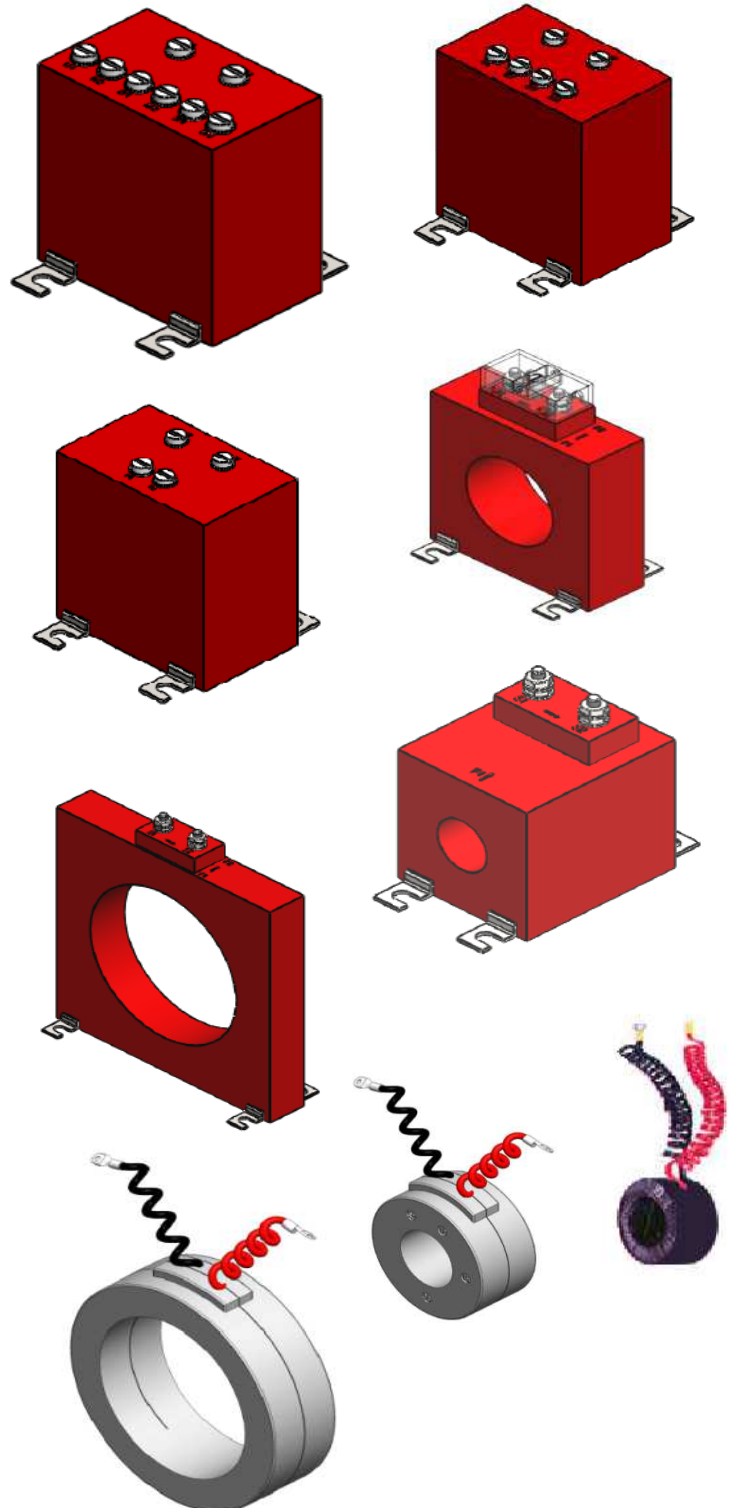
Features

- * CT's manufactured as per National / International Standards
- * Current rating from : 1 A to 6000 A
- * Rated Sec. Current : 5A or 1 A or as required
- * Test Voltage : 3 KVe_{eff} ,50 Hz 1 min / as applicable
- * System Voltage : 720 V max
- * Outer Insulation : Resin / Non -flammable Plastic / Tape (PVC /Fiber Glass)
- * Protection Class : IP 65 (Resin) / IP20
- * Comprehensive measurement of class accuracy
- * Wide range of current ratings and busbar sizes
- * Thermal Short Circuit Current (I_{th}) : 60 X In
- * Rated Continuous Thermal Current (CTC) : 1.2 In
- * Tested on high accuracy Automatic CT test system with auto system generated test results / report
- * Special application CT's are designed & tested as per client requirement/ application

For detail catalogue /specification ,Pl. mail or call us :

sales@powertrac.in

+919829072389



Powertrac Industries

Reg. Office : 63/122 , Heera Path , Mansarovar,
Jaipur -302020

Email : sales@powertrac.in

Mobile : +919829072389 , 01416572389

www.powertrac.in

We provide quality,
not only quantity.



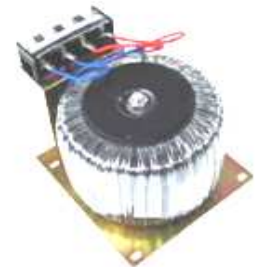
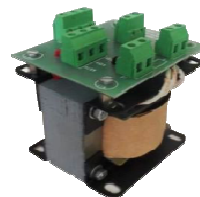
Industrial Control transformer

- a) Industrial Control Transformer : EI Type
- b) Industrial Control Transformer : Toroidal Type
- c) Instrumental Transformer : Toroidal Type
- d) Instrumental Transformer : EI Type
- e) Phantom Load : Toroidal Type
- f) Potential Transformer (PT) : Toroidal Type
- g) Industrial Control Transformer : Resin cast



Features

- * Wide VA rating: from 10 VA to 20000 VA
- * High Dielectric strength
- * Temperature Class: F -155 °C
- * Multi -Tap primary winding for different universal line voltages
- * Designed to meet high inrush current for industrial applications
- * Copper wound coils with high dielectric insulation strength
- * Toroidal design with low losses & high efficiency
- * Epoxy -encapsulated : Completely sealed against moisture,dust,dirt and industrial contaminants for maximum protection in hostile and industrial environment (Optional)



For detail catalogue /specification ,Pl. mail or call us :

sales@powertrac.in

+919829072389

Powertrac Industries

Reg. Office : 63/122 , Heera Path , Mansarovar,
Jaipur -302020

Email : sales@powertrac.in

Mobile : +919829072389 , 01416572389

www.powertrac.in